

Fig. 1

- The unique compliant tail pins conform to .040"±.003" finished hole without stressing inner layers. Patent No. 4,799,904
- Series 800 pin headers are offered in two tail lengths for .060"- .100" (MM #5601) and .090"- .130" (MM #5602) thick panels. See page 178 for details.
- Series 801 sockets MM #4614 or #4615 use Hi-Rel, 6-finger BeCu #47 contacts rated at 4.5 amps. Receptacles accept .030" diameter pins & .025" square pins. See page 211 for details.
- Insulators are high temp. thermoplastic.

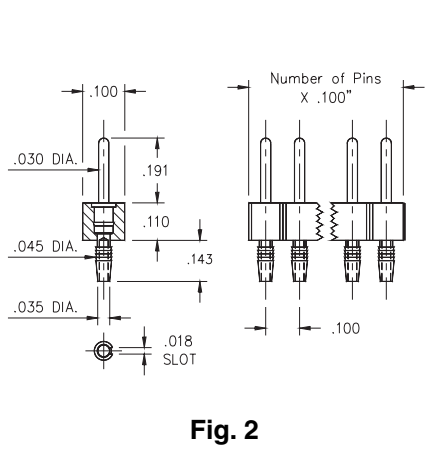
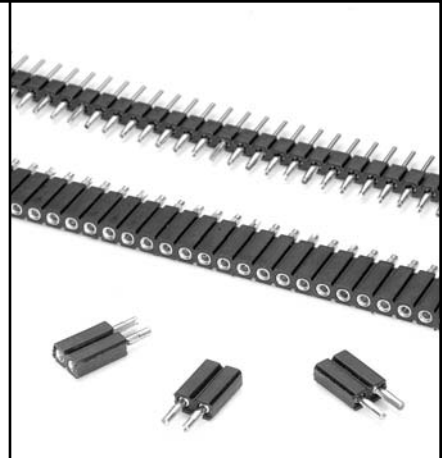


Fig. 2

Ordering Information

Fig. 1	Compliant Tail Pin Header for .060 - .100" thick boards	
	800-XX-0 __ -61-001000	Specify # of pins → 01-64
Fig. 2	Compliant Tail Pin Header for .090 - .130" thick boards	
	800-XX-0 __ -62-001000	Specify # of pins → 01-64

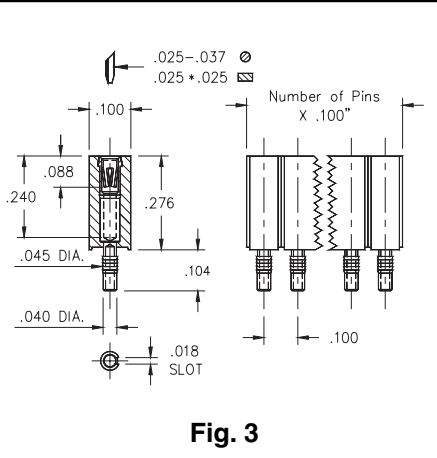


Fig. 3

RoHS 2002/95/EC → **XX= Plating Code See Below** → **For RoHS compliance select ◇ plating code.**

SPECIFY PLATING CODE XX=	10 ◇	90	40 ◇	
Pin Plating	10μ" Au	200μ" Sn/Pb	200μ" Sn	

Fig. 3	Compliant Tail Socket for .060 - .100" thick boards	
	801-XX-0 __ -61-001000	Specify # of pins → 01-50
Fig. 4	Compliant Tail Socket for .090 - .130" thick boards	
	801-XX-0 __ -62-001000	Specify # of pins → 01-50

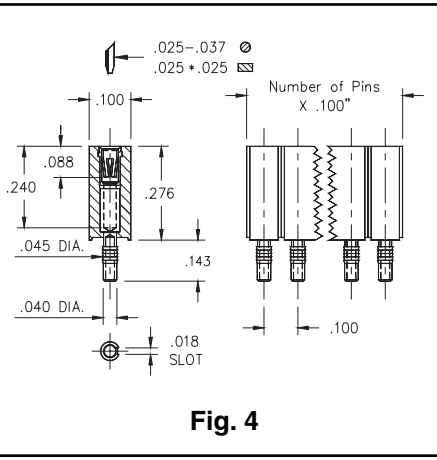


Fig. 4

RoHS 2002/95/EC → **XX= Plating Code See Below** → **For RoHS compliance select ◇ plating code.**

SPECIFY PLATING CODE XX=	13 ◇	93	99	43 ◇	44 ◇
Sleeve (Pin)	10μ" Au	200μ" Sn/Pb	200μ" Sn/Pb	200μ" Sn	200μ" Sn
Contact (Clip)	30μ" Au	30μ" Au	200μ" Sn/Pb	30μ" Au	200μ" Sn